

# Large Capacity Frontloading Electric Maxi-Washer

## Specifications



Kleenmaid's new large capacity washer features stylish chrome inserts and is made to ensure that large loads are washed with ease. To keep up with busy families, our new large capacity machines combine many features and programs to ensure simple operation, convenience and perfect wash results every time.

Energy rating:	3.5 star
Water rating:	4 star
Drum material:	Stainless steel
Max spin speed:	1200 rpm
Drive system:	Brushless ASM
Programs:	15 wash programs
Dimensions	940mm (H) 686mm (W) 780mm (D)
Electrical:	10 Amp (3 pin plug)

\* Images for illustration purposes only



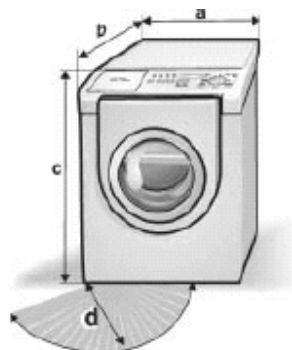
For your nearest store call 13 13 08  
[www.kleenmaid.com.au](http://www.kleenmaid.com.au)

**Kleenmaid**  
 The best you can own.

# Large Capacity Frontloading Electric Maxi-Washer

## Specifications

### Freestanding Dimensions



a = 686mm

b = 780mm

c = 940mm

d = 530mm

Opening angle 180°

Weight approx. 100kg

\* Images for illustration purposes only

### Notes on Installation:

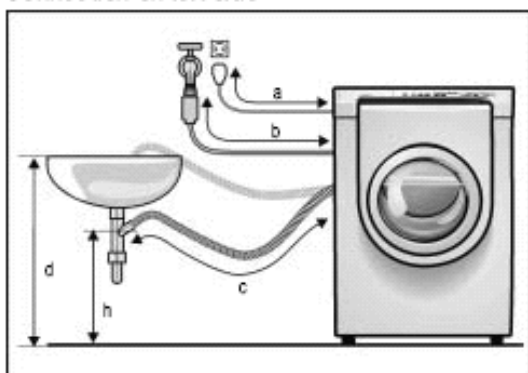
- Standard 10 Amp power point required
- Single Cold Water Connection only
- **Prior to final location of machine, remove the 4 shipping bolts! Store in case of future need!**
- Detailed installation instructions are provided with the appliance and should be read carefully. This document is a brief summary of dimensions & should not be relied upon in isolation. Refer pages 5-10 of Use & Care Manual
- The power supply plug must remain accessible
- Installation surface must be clean, level & firm
- The appliance cannot be top-mounted or built under
- Align the washer with adjustable feet using a spirit level
- Never remove the height adjustable feet
- Respect installation clearances advised in instructions
- **The washer is hinged on left & is not reversible**
- Electrical & water connection information is provided in the tables following.

If the washing machine is to be installed in a recess, observe the minimum clearances:

<b>Sides</b>	6mm	<b>Rear</b>	64mm
<b>Upper Edge</b>	305mm	<b>Front</b>	6mm

### Hose and cable lengths

#### Connection on left side



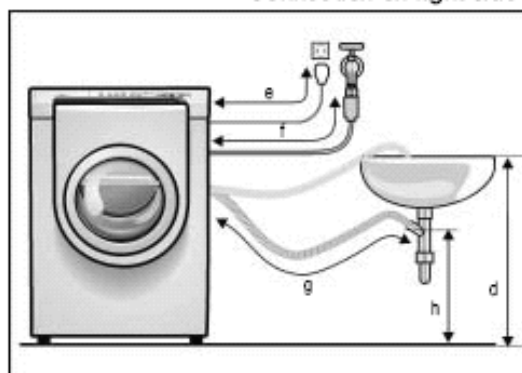
a = 140cm (approx.)

b = 130cm (approx.)

c = 85cm (approx.)

d = 100cm (max.)

#### Connection on right side



e = 175cm (approx.)

f = 88cm (approx.)

g = 140cm (approx.)

h = 60cm (approx.)

h = minimum drain point height

#### Accessory for purchase

- PED2000 200mm Pedestal (8")

Model	Electrical	Approval	Water Connection
KFL2000	240V AC 1900W 50Hz 10A GPO	Q080143	3/4" BSP : Cold Water Connection Only

\*Technical Specifications and product sizes can be varied by Manufacturer without notice. Any cut-outs for appliances should only be by physical measurements. Drawings are not to scale. All information supplied is for general reference purposes only and is on the understanding that Kleenmaid Pty Ltd will not be liable for any loss, liability or damage whatsoever arising as a result of reliance of such information.

10

10 Year Warranty\*

For your nearest store call 13 13 08  
www.kleenmaid.com.au

**Kleenmaid**  
The best you can own.