

Dimensions and Specifications

# Double Bowl Benchmark Sink



\*Image does not show blanking tap hole covers.

Kleenmaid's range of bench mount sinks are both stylish and practical. Featuring large bowl sizes to accommodate the largest pots and pans plus functional draining areas to complete the food preparation process with ease.

Installation type:	Benchmark
Finish:	Smooth stainless steel (Minimises scratch visibility)
Construction:	.6mm stainless steel
Sink Dimensions:	1160 x 500mm
Bowl Dimensions:	340 x 400 x 180 (Both bowls)
Inclusions:	Sealable waste baskets Steel basket Beech chopping board Installation template Tap hole covers
Accessories:	Stainless steel soap dispenser (SCSD)

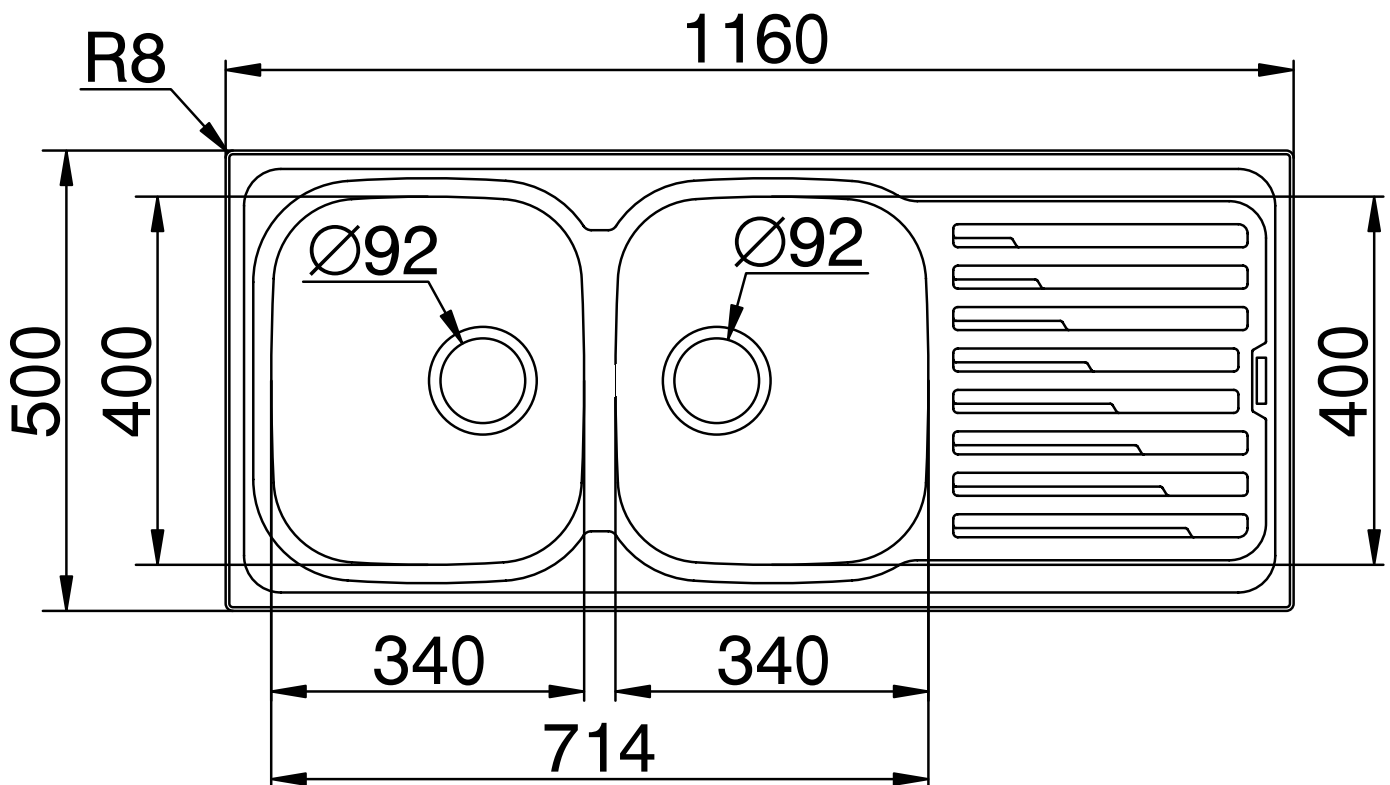
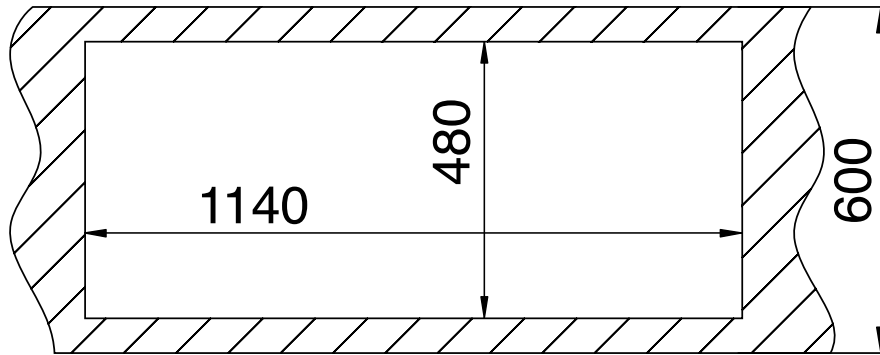


For your nearest store call 13 13 08  
[www.kleenmaid.com.au](http://www.kleenmaid.com.au)

**Kleenmaid**  
 The best you can own.

Dimensions and Specifications

# Double Bowl Benchmark Sink



\*Technical Specifications and product sizes can be varied by Manufacturer without notice. Any cut-outs for appliances should only be by physical measurements. Images are for illustration purposes only. Drawings are not to scale. All information supplied is for general reference purposes only and is on the understanding that Kleenmaid Pty Ltd will not be liable for any loss, liability or damage whatsoever arising as a result of reliance of such information.



For your nearest store call 13 13 08  
[www.kleenmaid.com.au](http://www.kleenmaid.com.au)

**Kleenmaid**  
 The best you can own.