

David Lewis Collection

# Canopy Rangehood



The David Lewis Collection of modern rangehoods are exclusive to Kleenmaid and deliver a statement in kitchen design. With efficient filtration, exceptional air flow capacity, luxury halogen lighting and built-in silence kits these rangehoods ensure outstanding performance.

These are the products which even after years of use are still as pleasurable to look at as when they first captured your attention.



Style: Wall mounted canopy

Colour: Stainless steel

Width: 900mm

Operation: 3 speed soft touch control

Lighting: 2 x 20w Halogen lamps

Maximum Airflow Capacity: 700 m<sup>3</sup>/h

\*Technical Specifications and product sizes can be varied by Manufacturer without notice. Any cut-outs for appliances should only be by physical measurements. Drawings are not to scale. All information supplied is for general reference purposes only and is on the understanding that Kleenmaid Pty Ltd will not be liable for any loss, liability or damage whatsoever arising as a result of reliance of such information.



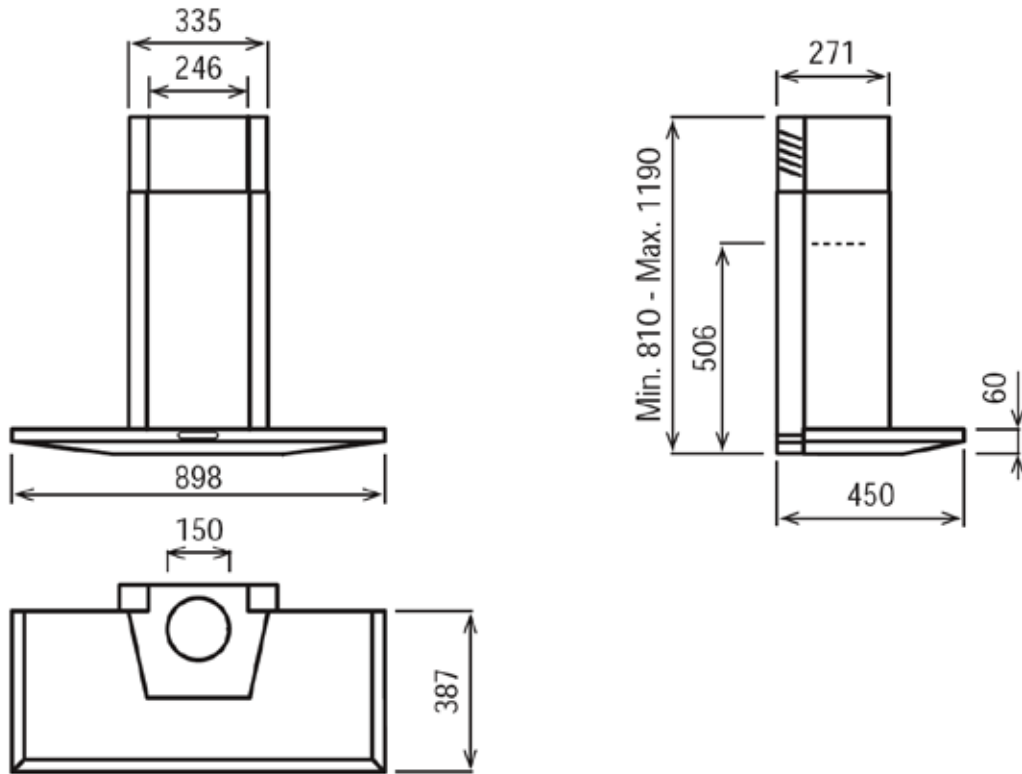
10 Year Parts & Labour Warranty\*

For your nearest store call 13 13 08  
[www.kleenmaid.com.au](http://www.kleenmaid.com.au)

EXCLUSIVE TO  
**Kleenmaid**  
 The best you can own.

David Lewis Collection

# Canopy Rangehood



To ensure maximum performance from your Kleenmaid rangehood, external venting is recommended. If you have any questions or require further details please call Kleenmaid Customer Care on FREECALL 1300 652 100.

**Minimum distance above cooktop:** Electric cooktop – 650mm  
Gas cooktop – 650mm  
(Check Local Regulations)

**Size of venting pipe:** 150mm

**Maximum length of ducting:** 3 metres

**Ducting:** EzyVent venting supplies recommended.  
For maximum performance keep length of ducting short and the number of elbows used to a minimum.

**Recirculating:** Is an option if it is not possible to exhaust your rangehood outside. When using this option it is necessary to fit a CARBON FILTER. This will eliminate odours in the kitchen.

Model	Maximum Airflow Capacity (m <sup>3</sup> /h)	Elec. Approval No.	Width (mm)	Dimensions Height (mm)	Depth (mm)	Electrical Rating		
						Voltage	W	Amp
SAMURAI	700	Q96344	898	min. 810 max. 1190	450	240	215	.9



For your nearest store call 13 13 08  
[www.kleenmaid.com.au](http://www.kleenmaid.com.au)

EXCLUSIVE TO  
**Kleenmaid**  
The best you can own.