

Fixed Rangehood



Style: Fixed (Wall mounted)
 Colour: Stainless steel OR white
 Width: 599mm
 Operation: 3 speed mechanical slider
 Lighting: 2 x 40w incandescent globes
 Maximum Airflow Capacity: 570 m³/h

Good looking and efficient – the perfect combination! The new series of designer rangehoods from Kleenmaid combine stunning good looks with outstanding design, to provide the perfect finishing touch to any kitchen.

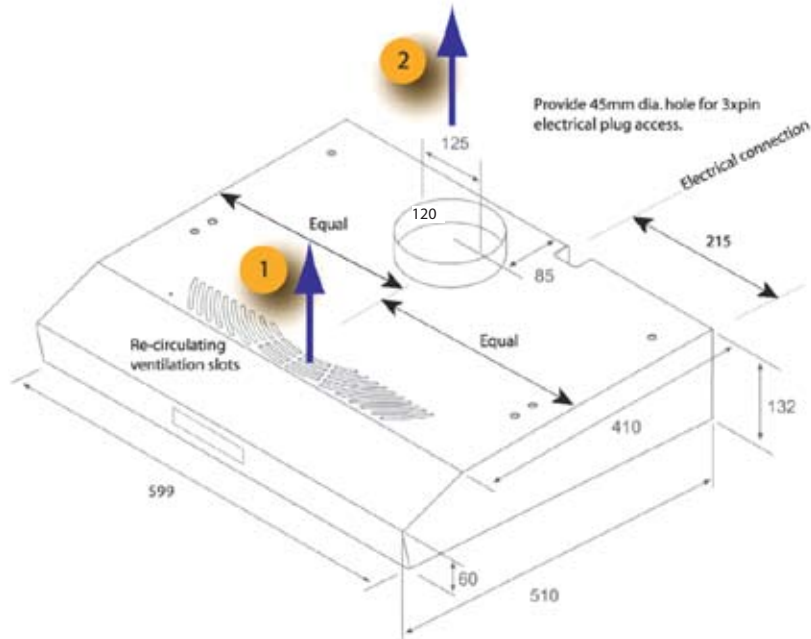
*Technical Specifications and product sizes can be varied by Manufacturer without notice. Any cut-outs for appliances should only be by physical measurements. Drawings are not to scale. All information supplied is for general reference purposes only and is on the understanding that Kleenmaid Pty Ltd will not be liable for any loss, liability or damage whatsoever arising as a result of reliance of such information.

10
 10 Year Parts &
 Labour Warranty*

For your nearest store call 13 13 08
www.kleenmaid.com.au

EXCLUSIVE TO
Kleenmaid
 The best you can own.

Fixed Rangehood

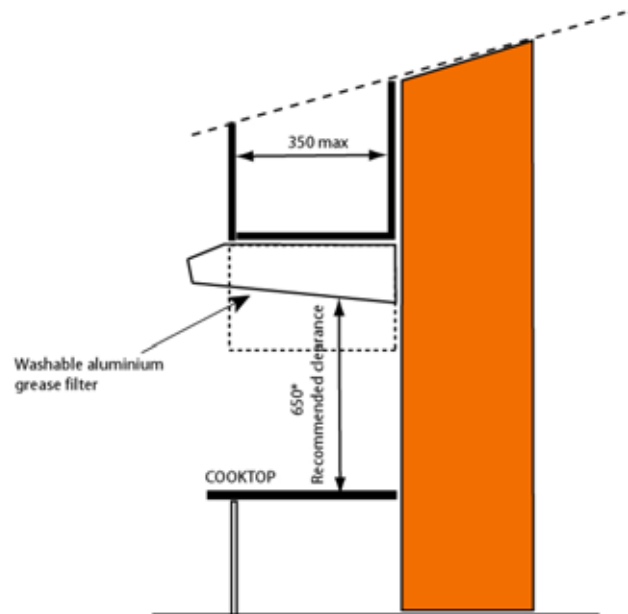
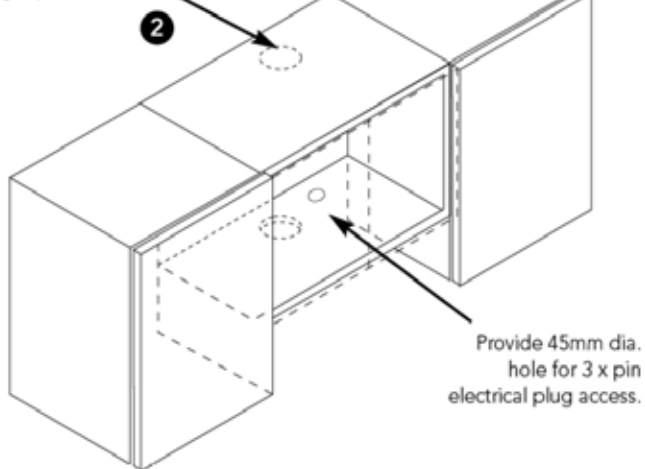


1 Re-circulation This mode is used if it is not possible to exhaust to the outside. The exhaust air comes out through the front upper side. It is important to install a carbon filter when using recirculating mode, to absorb cooking vapours.

2 Exhaust Upwards If the exhaust pipe passes through the cabinet above the cooker, 130mm diameter holes must be made in the cabinet both on the bottom and on the top for the pipe to pass through and fasten to the coupling sleeve under the cabinet.

When planning the venting, always minimise the length of pipe and number of bends. See our installation and venting specifications for further information. The replaceable carbon filter filtrates the area and odours when the unit is used without external venting. The carbon filter RHC024 is NOT fitted to the unit. This filter is available as an accessory and when it is fitted it **MUST BE REPLACED EVERY 6 MONTHS.**

To accommodate pipe provide 130mm dia. holes top & bottom of cabinet when utilising top ventilation



* When positioning hood above cooktop please check your local gas company regulations (650mm recommended)

Model	Maximum Airflow Capacity (m ³ /h)	Elec. Approval No.	Width (mm)	Dimensions		Electrical Rating		
				Height (mm)	Depth (mm)	Voltage	W	Amp
RH24	570	Q031544	599	132	510	240	240	10

10

10 Year Parts & Labour Warranty*

For your nearest store call 13 13 08
www.kleenmaid.com.au

EXCLUSIVE TO
Kleenmaid
The best you can own.