

# Canopy Rangehood



Good looking and efficient – the perfect combination! The new series of designer rangehoods from Kleenmaid combine stunning good looks with outstanding design, to provide the perfect finishing touch to any kitchen.

Style: Wall mounted canopy

Colour: Stainless steel

Width: 1200mm

Operation: 3 speed + intensive, black touch control pad

Lighting: 3 x 20w Halogen lamps

Maximum airflow capacity: 700m<sup>3</sup>/h

\*Technical Specifications and product sizes can be varied by Manufacturer without notice. Any cut-outs for appliances should only be by physical measurements. Drawings are not to scale. All information supplied is for general reference purposes only and is on the understanding that Kleenmaid Pty Ltd will not be liable for any loss, liability or damage whatsoever arising as a result of reliance of such information.

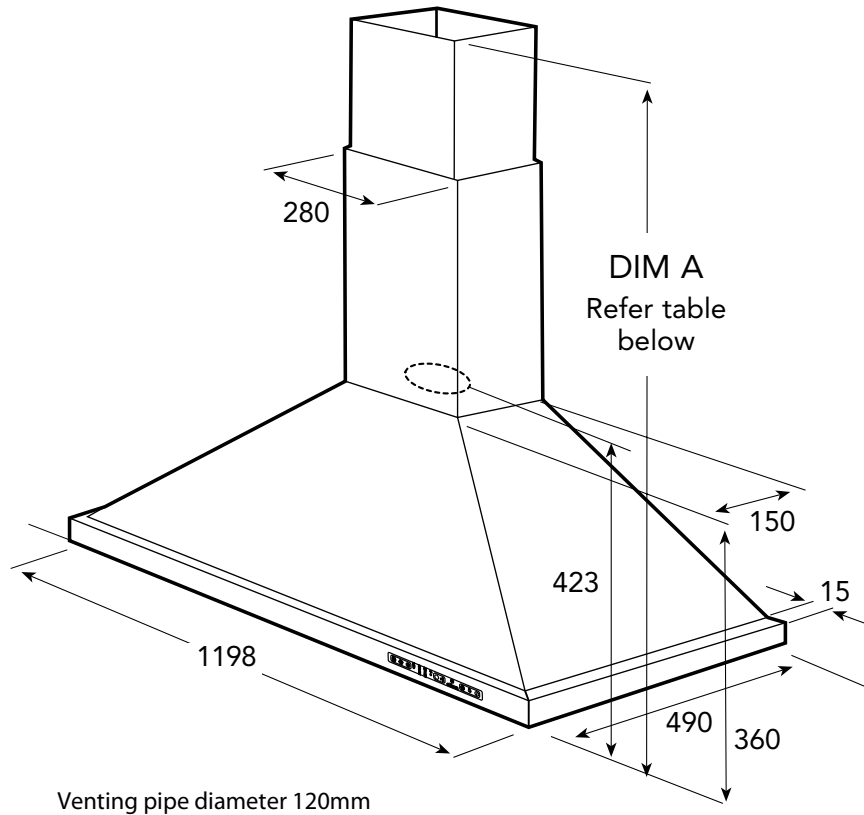


10 Year Parts & Labour Warranty\*

For your nearest store call 13 13 08  
[www.kleenmaid.com.au](http://www.kleenmaid.com.au)

**Kleenmaid**  
 The best you can own.

# Canopy Rangehood



120 to 150mm adapter provided for  
installation where 150mm can not be used.  
120mm will reduce efficiency

Model	Approval No	Electrical Ratings	Dimension A
RH13	Q96344	240V 280W 50Hz 10A GPO	Min. 1000
			Max. 1500

NOTE: Electrical connection to be located in ceiling or roof cavity.



For your nearest store call 13 13 08  
[www.kleenmaid.com.au](http://www.kleenmaid.com.au)

**Kleenmaid**  
The best you can own.

# Canopy Rangehood

To ensure maximum performance from your Kleenmaid rangehood, external venting is recommended. The following information will provide you with all the details to install your rangehood. If you have any questions or require further details please call 1300 652 100.

## Minimum distance above rangehood:

650 electric; 650 gas, check local regulations.

Size of venting pipe: RH13 120mm

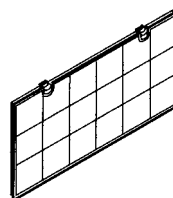
- Venting must be constructed of a non-flammable material.
- For maximum performance keep length of ducting short and the number of elbows used to a minimum.

## Recirculating:

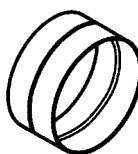
Is an option if it is not possible to exhaust your rangehood to the outside. When using this option it is necessary to fit a CARBON FILTER. This will eliminate odours in the kitchen. The CARBON FILTER must be replaced approximately every 6-12 months.

## INSTALLATION TIPS:

- The 240v outlet can be located:
  1. On the wall above the ducting bend outlet, when rear vented (i.e. within stack cover); or
  2. In the ceiling when ducted through the roof. In this case the standard cable (approx 2.5 metres in free length) would need to be changed and lengthened to suit.
- A 90° bend in the ducting may result in a 30% efficiency loss.
- When installing a canopy rangehood please maintain minimum clearances around gas cooktops as per AG601 Gas Installation Code.

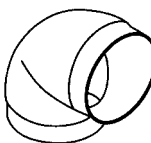


RHC900 Carbon filter for RH13



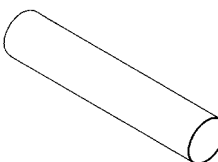
D593WH Duct Joiner to connect ducting pipe together for 125mm

D693WH Duct Joiner to connect ducting pipe together for 150mm



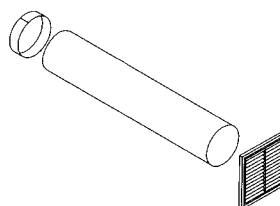
D590WH Elbow 125mm

D690WH Elbow 150mm



D1106WH 1m ducting pipe - 150mm width

DP53412 1.2m ducting pipe - 125mm width with sleeve to 120mm



D220KM2 1m ducting pipe - 150mm width  
Rubber extrusion and gauze weatherhood

D220KM 1.2m ducting pipe - 125mm width Rubber  
extrusion and gauze weatherhood



10 Year Parts & Labour Warranty\*

For your nearest store call 13 13 08  
www.kleenmaid.com.au

**Kleenmaid**  
The best you can own.