

## SPECIFICATIONS

## Professional Series Stretch Oven



The Kleenmaid Professional range of built in ovens combine stunning European styling with outstanding quality, enormous capacity and full multi-function capabilities to ensure exceptional cooking results every time.

The Kleenmaid Professional stretch oven allows you to cook large roasts side by side and features many flexible cooking options for the largest family or the greatest entertainers.

## Features:

Oven capacity:	75 litres
Cooking programs:	10 multi-function programs - including rotisserie
Timer:	Electronic fully programmable timer
Power requirements:	15 amp 3 pin plug
Construction:	304 grade stainless steel
Installation:	Wall or under bench
Inclusions:	1 x baking tray 2 x wire shelves 1 x grill pan 1 x rotisserie
Dimensions:	893mm (W) x 477mm (H) x 538mm (D)

10

10 Year Warranty\*

For your nearest store call 13 13 08  
[www.kleenmaid.com.au](http://www.kleenmaid.com.au)

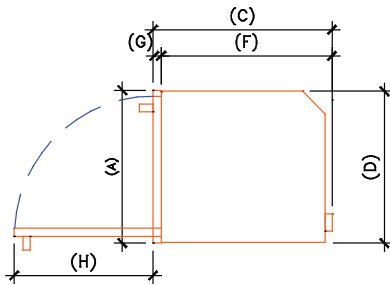
**Kleenmaid**  
 P R O F E S S I O N A L

SPECIFICATIONS

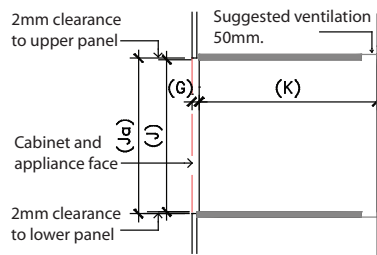
# Professional Series Stretch Oven

## PRODUCT AND CABINET DIMENSIONS: 'FLUSH FIT' TO851X INSTALLATION

### WALL MOUNTED

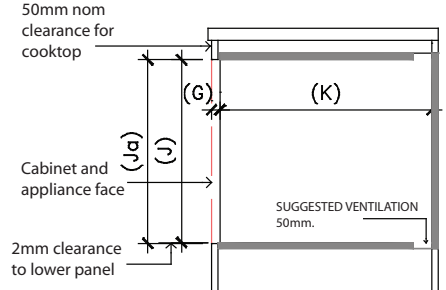


OVEN SIDE ELEVATION

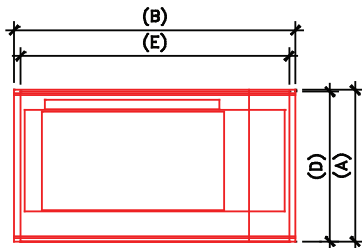


CABINET SECTION

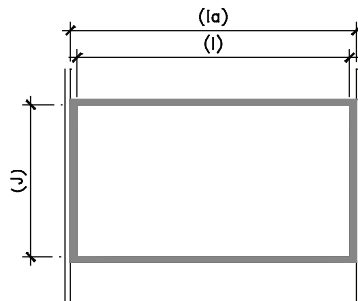
### UNDER BENCH



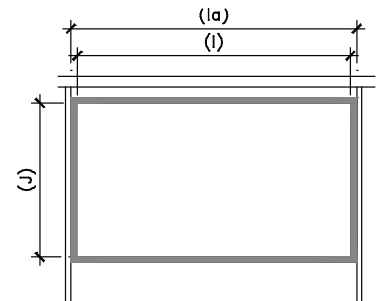
CABINET SECTION



OVEN FRONT ELEVATION



CABINET FRONT ELEVATION



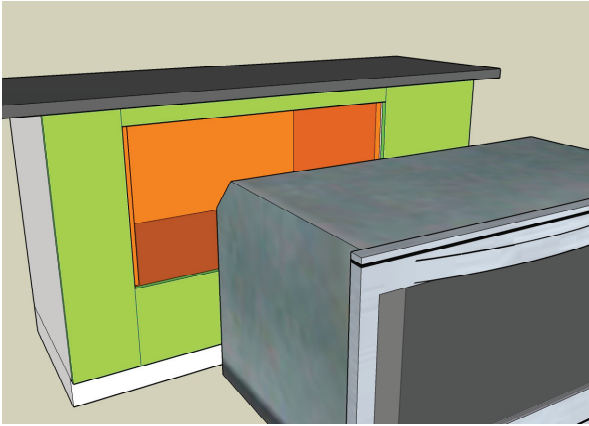
CABINET FRONT ELEVATION

REF	Appliance and cabinetry dimensions (mm)	TO851X Wall	TO851 Underbench	
Appliance	A	Overall height of appliance	478	478
	B	Overall width of appliance (fascia)	898	898
	C	Overall depth of appliance (excluding handles/knobs)	563	563
	D*	Height of chassis*	476	476
	E	Width of chassis	855	855
	F	Depth of chassis	538	538
	G	Depth of oven frame and control panel (flush fitting cabinetry clearance)	24	24
	H	Depth of oven door when fully open (measured from front of control panel)	420	420
Cabinetry	I	Minimum inside width of cavity	860	860
	Ia	Overall width of cabinet module	900	900
	J*	Inside height of cavity*	478	480
	Ja	Minimum height for flush fit = A + clearances (2mm at bottom / balance at top)	482	482
	K	Minimum inside depth of cavity (Measured from rear of fascia panel)	560	560
* Height measurements are from cavity support base				

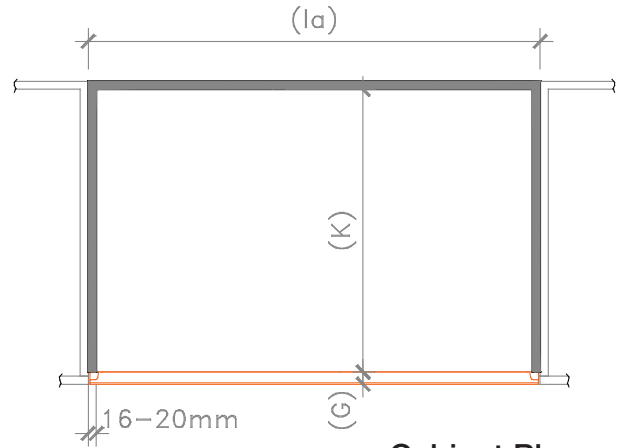
Model	Capacity (litres)	Electrical Approval	Installation Method	Electrical Rating			
				Voltage	Hz	W	Amp
TO851X	75	Q070718	#Flush	240	50	3500	15

## SPECIFICATIONS

## Professional Series Stretch Oven

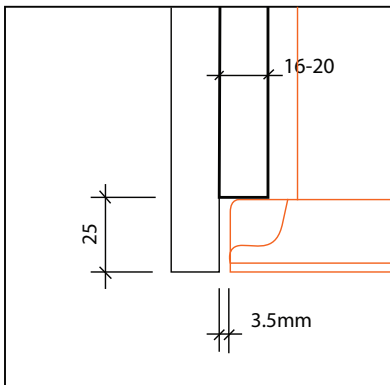


Cabinet &amp; Oven Pictorial

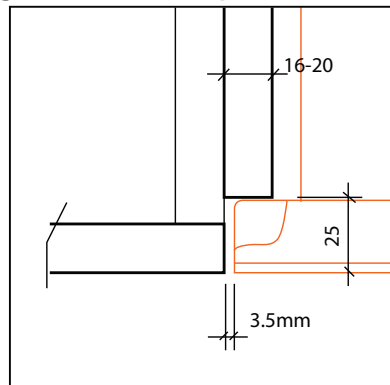


Cabinet Plan

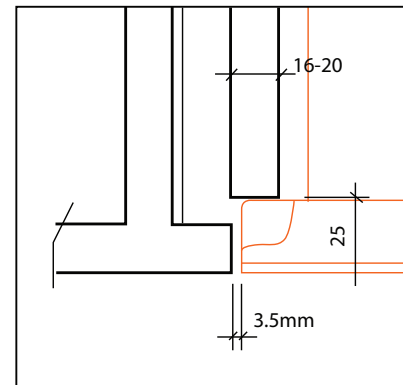
## Flush Fitting Installation Options



Adjacent Gable



Adjacent Cupboard



Adjacent Drawer

## Installation Notes

1. Check measure appliance and ensure cabinet is constructed square and to dimensions required.
2. The oven can be installed Underbench or in a Wall Mounted installation
3. Make sure that surrounding materials are heat resistant
4. Align the oven centrally with respect to the side walls of the unit surrounding it and fix it in place with the screws provided
5. Cavity height dimension differences (5mm) reflect cavity ventilation considerations. The underbench installation allows for additional heat from a cooktop above.
6. Although a suggested ventilation space (50mm) is shown in 'Wall Installation' drawings, no specific openings are necessary for ventilation in the cabinet because this appliance is equipped with a cooling fan drawing air across the slots in the top and bottom of the unit. It is enough to respect the dimensions of the appliance housings above the oven.

**Important Note on Dimensions**

We recommend that you refer to this entire Specifications document when preparing cabinetry & installing your TO851x oven.

The Use & Care Manual delivered with the appliance will provide general diagrams.

If you have any queries, please contact Kleenmaid Customer Solutions on **1300 652 100** for assistance.

# Installation Hints & Electrical Information

## Installation Hints & Electrical Information

### Instructions

Wall ovens should be mounted so that when the door is open fully, the top of the door is approximately waist level to allow the user easy access to the oven.

So that your oven maintains its efficient sealing capacity for the life of the appliance, NEVER USE THE DOOR AS A LEVER (especially when the oven is being installed into its recess). Similarly undue pressure must never be placed on the oven door when it is open.

### Electrical Connection

Connection to electrical mains must only be performed by a licenced electrical contractor. All care must be taken to ensure the installation is properly earthed and conforms to local codes. Ensure enough flex is provided when connecting electrical connections to allow for ease of installation and servicing of the appliance.

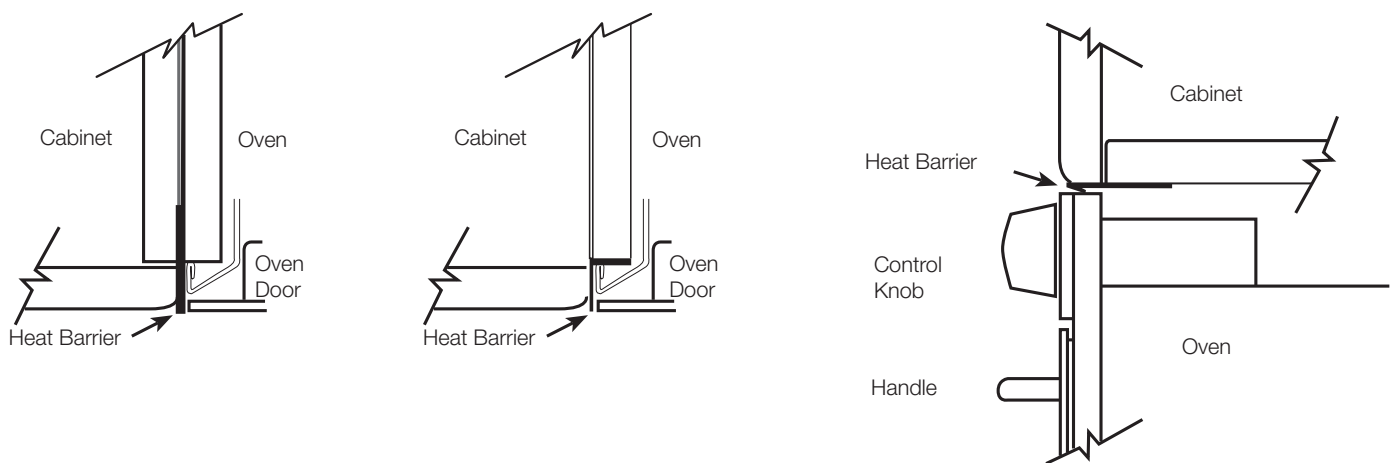
### Installation of wall ovens in vacuum formed vinyl/plastic materials

When wall ovens are installed in situations in conjunction with vacuum formed vinyl/plastic materials, formed onto a base material, it is essential to avoid direct radiation onto these surfaces and edges of doors and panels adjacent to the sides and top of the wall oven.

It is recommended that a heat barrier be fitted to avoid this radiated heat. (NOT SUPPLIED - Customer responsibility).

Following are two methods of protecting the doors or panels to the side of the oven, and one to protect the cabinets above the oven.

No responsibility can be accepted for any claims regarding the surrounding doors and panels if the installation is not to an approved manner.



\* Technical Specifications and product sizes can be varied by Manufacturer without notice. Any cut-outs for appliances should only be by physical measurements. Drawings are not to scale. All information supplied is for general reference purposes only and is on the understanding that Kleenmaid Pty Ltd will not be liable for any loss, liability or damage whatsoever arising as a result of reliance of such information.