

SPECIFICATIONS

Designer Built In Double Oven



With features designed to bring out the gourmet cook in you, you'll love the good looks and easy use and maintenance of our built in ovens. By keeping the heat in the oven and not your kitchen, cooking is fast and energy efficient. With an easy to clean interior and multi-function cooking programs, you get to spend more time appreciating your culinary delights.

Features:

| | |
|-------------------|---|
| Oven capacity: | 58 litre capacity (main oven) 32 litre capacity (auxiliary oven) |
| Cooking programs: | 7 multi-function programs (main oven) 4 multi function programs (auxiliary oven) |
| Construction: | 304 grade stainless steel |
| Timer: | Electronic fully programmable timer |

Inclusions:

| | |
|------------------|--|
| (Main oven) | 2 x wire racks 1 x grill pan |
| (Auxiliary oven) | 1 x oven grid 1 x flat biscuit tray |
| Electrical: | 18 amp |
| Dimensions: | 594mm (W) x 888mm (H) x 561mm (D) |

10

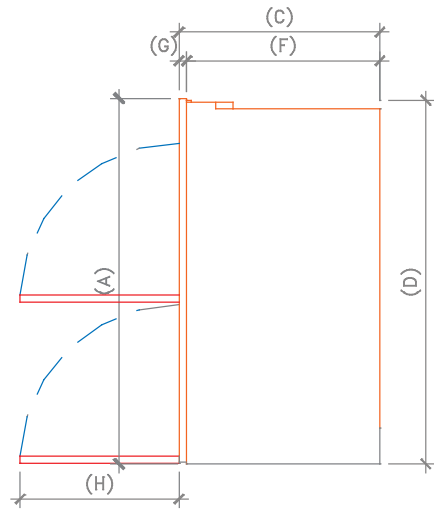
10 Year Warranty*

For your nearest store call 13 13 08
www.kleenmaid.com.au

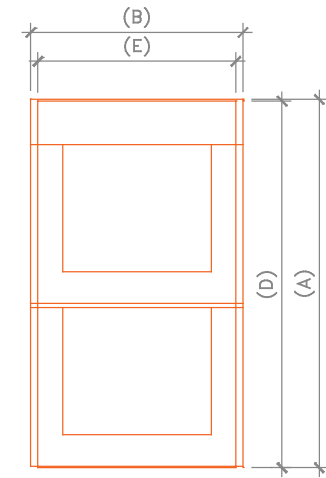
Kleenmaid
 P R O F E S S I O N A L

SPECIFICATIONS

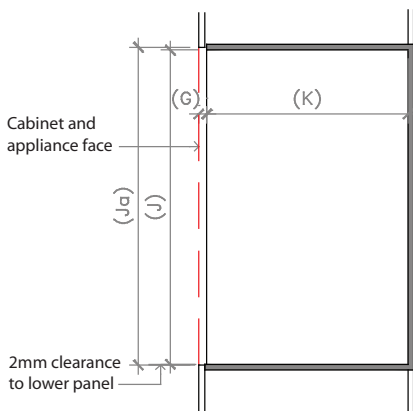
Designer Built In Double Oven



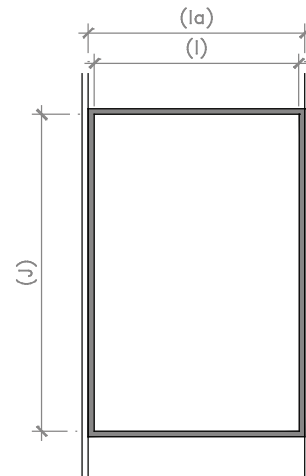
OVEN SIDE ELEVATION



OVEN FRONT ELEVATION



CABINET SECTION



CABINET FRONT ELEVATION

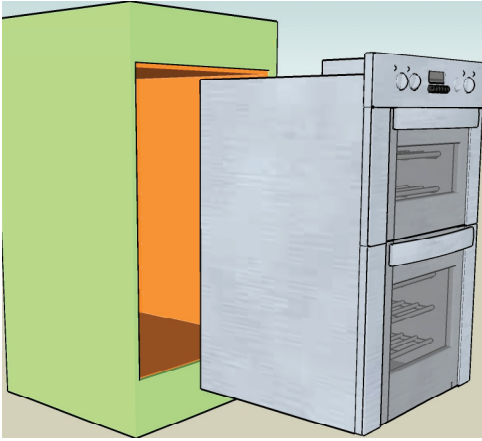
| | REF | Appliance and cabinetry dimensions (mm) | TO552X |
|--|-----|--|--------|
| Appliance | A | Overall height of appliance | 888 |
| | B | Overall width of appliance (fascia) | 595 |
| | C | Overall depth of appliance (excluding handles/knobs) | 562 |
| | D* | Height of chassis | 876 |
| | E | Width of chassis | 560 |
| | F | Depth of chassis | 540 |
| | G | Depth of oven frame and control panel (flush fitting cabinetry clearance) | 22 |
| | H | Depth of oven door when fully open (measured from front of control panel) | 440 |
| Cabinetry | I | Minimum inside width of cavity | 565 |
| | Ia | Overall width of cabinet module | 600 |
| | J* | Minimum height for flush fit = A + clearances (2mm at bottom / balance at top) | 892 |
| | Ja | Overall height (fascia + clearances = A + 2mm clearance at bottom) | 892 |
| | K | Minimum inside depth of cavity | 560 |
| * Height measurements are from cavity support base | | | |

| Model | Capacity (litres) | Electrical Approval | Installation Method | Electrical Rating | | | |
|--------|-------------------|---------------------|---------------------|-------------------|----|------|-----|
| | | | | Voltage | Hz | W | Amp |
| TO552X | 58 & 32 | Q03582 | #Flush | 240 | 50 | 4250 | 18 |

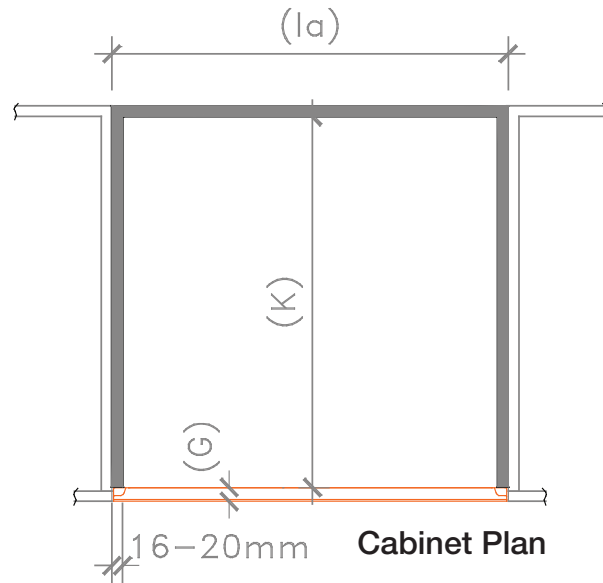
#Proud not recommended

SPECIFICATIONS

Designer Built In Double Oven

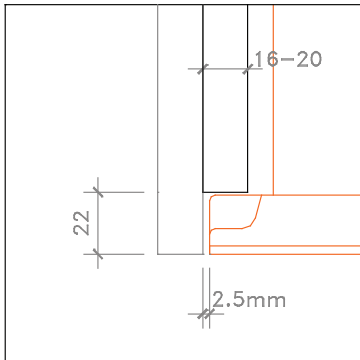


Cabinet & Oven Pictorial

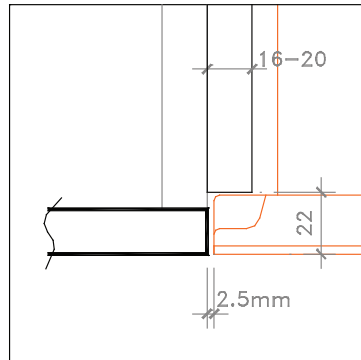


Cabinet Plan

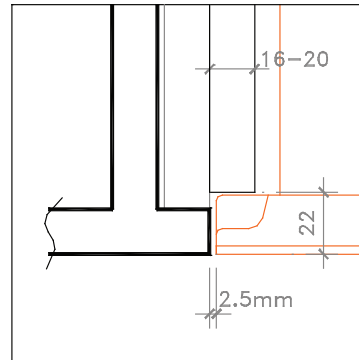
Flush Fitting Installation Options



Adjacent Gable



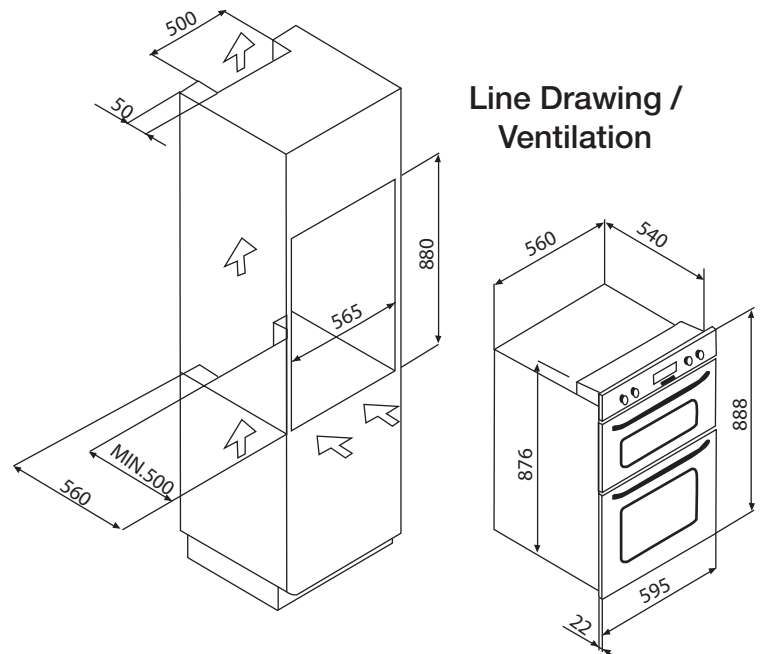
Adjacent Cupboard



Adjacent Drawer

Installation Notes

1. Check measure appliance and ensure cabinet is constructed square and to dimensions required.
2. Recommended for Wall Mounted installation.
3. Make sure that surrounding materials are heat resistant
4. The unit in which the oven is installed must be manufactured to a modular dimension of 600mm.
5. Openings of at least 50mm deep must be cut both in the bottom and top of the unit to ensure adequate ventilation.
6. Align the oven centrally with respect to the side walls of the unit surrounding it and fix it in place carefully with the screws provided. Never lift the oven using the door handle.



Line Drawing / Ventilation

Installation Hints & Electrical Information

Installation Hints & Electrical Information

Instructions

Wall ovens should be mounted so that when the door is open fully, the top of the door is approximately waist level to allow the user easy access to the oven.

So that your oven maintains its efficient sealing capacity for the life of the appliance, NEVER USE THE DOOR AS A LEVER (especially when the oven is being installed into its recess). Similarly undue pressure must never be placed on the oven door when it is open.

Electrical Connection

Connection to electrical mains must only be performed by a licenced electrical contractor. All care must be taken to ensure the installation is properly earthed and conforms to local codes. Ensure enough flex is provided when connecting electrical connections to allow for ease of installation and servicing of the appliance.

Installation of wall ovens in vacuum formed vinyl/plastic materials

When wall ovens are installed in situations in conjunction with vacuum formed vinyl/plastic materials, formed onto a base material, it is essential to avoid direct radiation onto these surfaces and edges of doors and panels adjacent to the sides and top of the wall oven.

It is recommended that a heat barrier be fitted to avoid this radiated heat. (NOT SUPPLIED - Customer responsibility).

Following are two methods of protecting the doors or panels to the side of the oven, and one to protect the cabinets above the oven.

No responsibility can be accepted for any claims regarding the surrounding doors and panels if the installation is not to an approved manner.

