

Freestanding Ovens



Our selection of The World's Best freestanding ovens, combining the best benefits of a built-in oven with optional cooktops, you're sure to like the stylish

European good looks. Featuring a fully featured multifunction oven with a ceramic cooktop, these freestanding ovens represent something excitingly different.

Features:

- Oven capacity: 53 litres
- Cooking programs: 9 multi-function programs
- Cooktop: 4 zone ceramic cooktop
- Energy rating: A class European energy rating
- Inclusions: Oven rack
Biscuit tray
Baking tray
- Colours: Stainless steel (FEC605X)
White (FEC605W)
- Dimensions: 600mm (W) x 900mm (H) x 600mm (D)

10

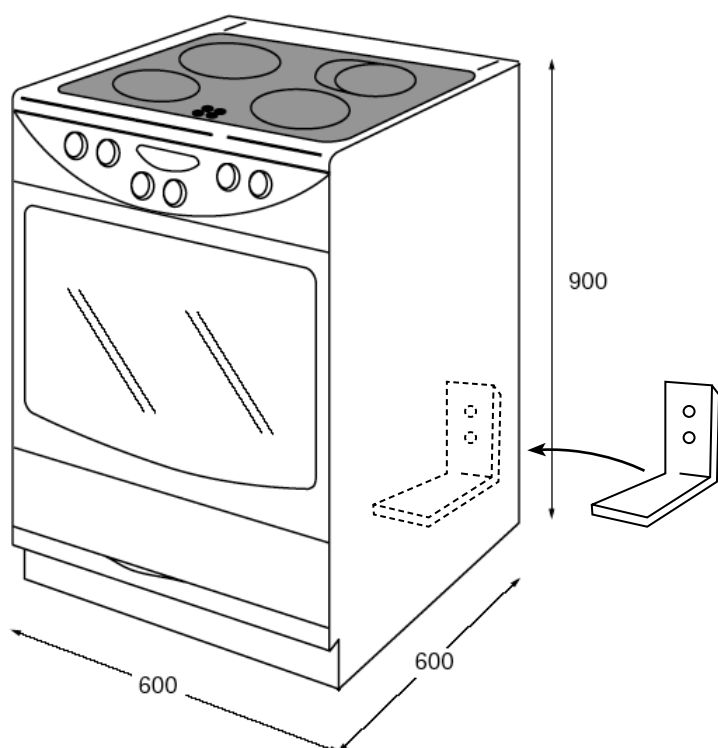
10 Year Warranty*

For your nearest store call 13 13 08
www.kleenmaid.com.au

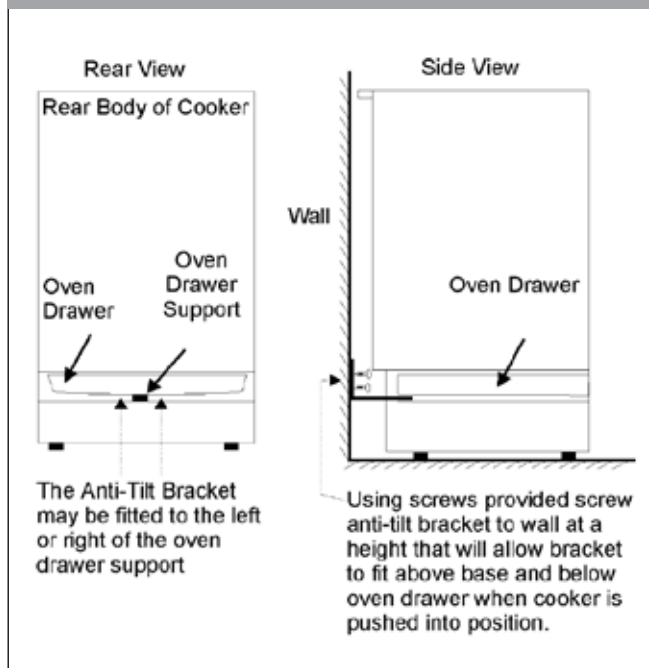
Kleenmaid
 The best you can own.

Freestanding Ovens

FEC605X/W



Anti Tilt Bracket



Model	Capacity (Litres)	Elec. Approval No.	Width (mm)	Dimensions		Electrical Rating		
				Height (mm)	Depth (mm)	Voltage	kW	Amp
FEC605X	53	Q00428	600	900	600	240	9.3	38.75
FEC605W	53	Q00428	600	900	600	240	9.3	38.75

U0504

*Technical Specifications and product sizes can be varied by Manufacturer without notice. Any cut-outs for appliances should only be by physical measurements. Drawings are not to scale. All information supplied is for general reference purposes only and is on the understanding that Kleenmaid Pty Ltd will not be liable for any loss, liability or damage whatsoever arising as a result of reliance of such information.